



stainless steel LED glass kettle

Instruction Manual



Item No. 34260

IMPORTANT SAFEGUARDS

WHEN USING ELECTRICAL APPLIANCES, BASIC PRECAUTIONS SHOULD ALWAYS BE FOLLOWED, WHICH INCLUDE THE FOLLOWING:

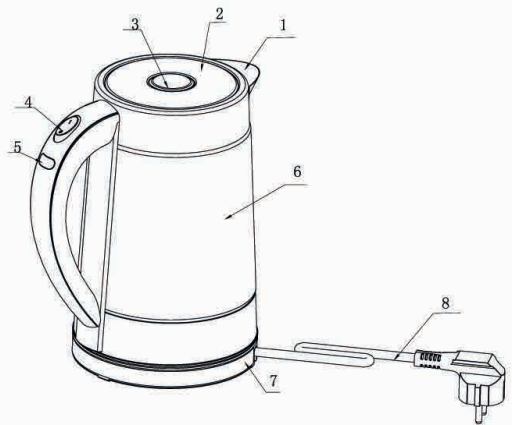
PLEASE READ THESE INSTRUCTIONS CAREFULLY AND RETAIN FOR FUTURE REFERENCE.

- Only use this kettle for its intended purpose, (Domestic use only).
- Do not immerse the kettle or its base into water.
- Connect the appliance only to an alternating current of the voltage specified on the rating plate & only to an earthed socket. To avoid circuit overload do not operate another high wattage appliance on the same circuit.
- Never pull the cord to disconnect from the socket, always remove by grasping the plug.
- Do not lift the appliance by electric cord or supply hose.
- Always disconnect the appliance from the socket when not in use.
- Do not operate this appliance if the cord has been damaged or if it has been dropped, it must be inspected by a qualified person, (electrician) for examination and repair.
- Always keep the kettle out of reach of children and always ensure that children are supervised when the kettle is switched on.
- During use always position the power base on a stable and even surface, always place the kettle on the power base.
- Do not allow the power cord to touch the hot surface.
- Burns can occur from touching hot parts, hot water and steam. Use caution when using this appliance. When the kettle is in use it will become hot. Only handle by its handle.
- Never use the kettle facing towards other people as the hot steam can cause burns.
- Never leave the kettle unattended when it is switched on.
- If the supply cord is damaged it must be replaced by the manufacturer, its service agent or other qualified electrician to avoid hazard.

- This kettle is not to be used if it has been dropped, if there are visible signs of damage or if it is leaking.
- This appliance is not intended for use by persons (including children) with reduced physical, sensory or mental capabilities, or lack of experience and knowledge, unless they have been given supervision or instruction concerning use of the appliance by a person responsible for their safety. Children should be supervised to ensure that they do not play with the appliance.
- The appliance is not intended to be operated by means of an external timer or separate remote control system.
- Never Over fill the kettle.
- Do not use the kettle with wet hands.
- Do not boil the kettle when it is empty.
- Only use the base provided with this kettle.

COMPONENTS

- 1) Spout with Filter
- 2) Lid
- 3) Push-Button Lid Opener
- 4) On/Off Switch
- 5) Glass body
- 6) 360° Power Base
- 7) Power Cord and Plug



INSTRUCTIONS

- Unpack the kettle and discard any packing materials.
- Remove the lid by pressing the push-button (3) in the centre - fill with water from a tap and make sure water level is above the minimum level and below the maximum level and replace the lid.
- Place the Kettle onto the power base (7).
- Connect the plug to a suitable wall socket.
- Press the On/Off button (4) and the blue LED's will light indicating the water is now boiling.

- When the water has boiled the Kettle will automatically switch off (blue LED's will also go off) and you can lift up the kettle to pour the boiling water.
- For very first use it is best to boil water and discard and then boil again.

CLEANING

- The plug must be removed from the power socket and allowed to cool down before attempting to clean.
- First wipe the exterior of the kettle and its stand with a damp cloth and then dry with a dry cloth. Always keep the base clean and dry. Be sure not to use coarse cleaning products or the glass and stainless steel may become marked.
- Your kettle can be cleaned inside periodically using shop bought descaler (follow the instructions on the descaler).

PLUG

- This appliance has been fitted with a BS UK compliant plug which should not be replaced or removed.
- The plug is fitted with UK compliant fuse link which is suitable for this type of appliance and should only be replaced by a fuse link of the same rating
- If access to the fuse link is only possible by removing the plug cover this must only be done by a suitably qualified person.
- If the plug or the mains cable of this appliance is damaged do not use and dispose of the appliance responsibly.
- This appliance is earthed.



Information on Waste Disposal for Consumers of Electrical & Electronic Equipment

This mark on a product and/or accompanying documents indicates that when it is to be disposed of, it must be treated as Waste Electrical & Electronic Equipment (WEEE).

Any WEEE marked waste products must not be mixed with general household waste, but kept separate for the treatment, recovery and recycling of the materials used.

For proper treatment, recovery and recycling; please take all WEEE marked waste to your Local Authority Civic waste site, where it will be accepted free of charge. If all consumers dispose of Waste Electrical & Electronic Equipment correctly, they will be helping to save valuable resources and preventing any potential negative effects upon human health and the environment, of any hazardous materials that the waste may contain.



Made in P.R.C

Imported by Benross® L24 9WD